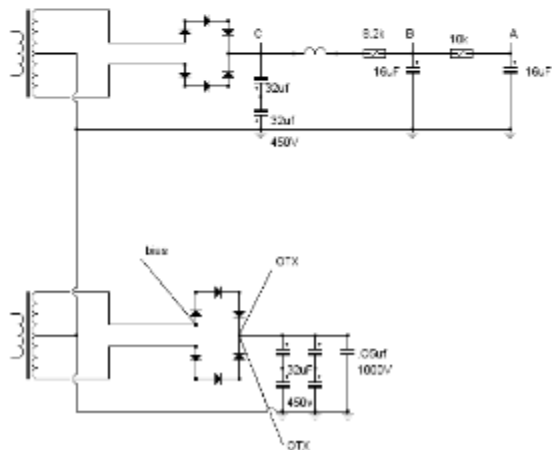
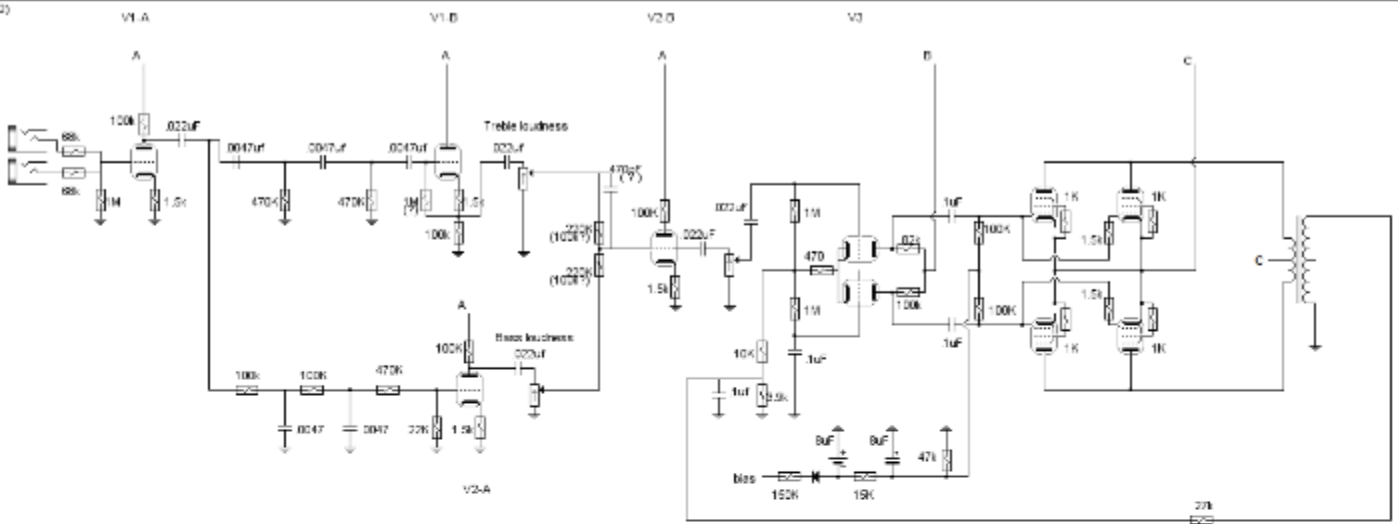


V1-A and B (also V2)



TITLE: MARSHALL 200 The PI0	
DOCUMENT NUMBER:	REV:
DATE: 05-09-2010	SHEET: